

Tuning

The recorder is regarded as an instrument in c".
The average pitch of the instrument is 327 cents above 440 Hz, i.e. somewhat higher than a minor third above a'=440 Hz

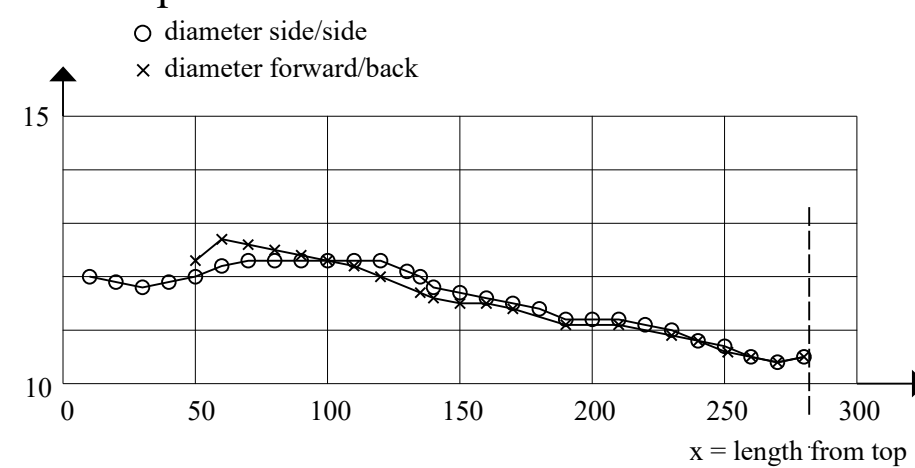
Note	Wind pressure mm	Fingering	Cents deviation from a'=440 Hz + a minor third (add 300 cents to the figures in the table)	Remarks
c"	30		+30	
d"	30		+42	
e"	30		+25	
f"	30	01234 6	+38	
f#"	30	0123 567	+50	
		0123 56	+80	
g"	35		+23	
g#"	35	012 456	+16	
		012 45	+47	
a"	36		+12	
bb"	37	01 34	+23	
b"	38		+5	
c#"	40	0 2	+48	
c#"	42	0	+5	
		12	+34	
d#"	44	2	+45	
eb"	48	(open)	+70	
		23456	+9	
		012345 7	+60	
e#"	52		+10	
f#"	55	01234 6	0	
		01234 7	+33	
f#"	58	0123 5 7	+30	
		0123 5	+68	
g#"	60		+18	
g#"	64	0123 567	-15	
	80*	012 4	+28*	
a#"	80*		+16*	
bb#"	80*	012 456	-45*	
		012 56	-40*	
b#"	120*	012 45	-20*	
c#"	120*	01 45	-10*	
d#"	>120*		-20*	

* Due to the condition of windway and lip the recorder does not speak well above g", and the blowing pressure has to be increased very much. The figures here have to be considered with much reservation.

Bore dimensions

x = distance from top of recorder	Ø side/side, direction of y-axis	Ø front/back, direction of z-axis
10	12.0	
20	11.9	
30	11.8	
40	11.9	
50	12.0	12.3
60	12.2	12.7
70	12.3	12.6
80	12.3	12.5
90	12.3	12.4
100	12.3	12.3
110	12.3	12.2
120	12.3	12.0
130	12.1	
135	12.0	11.7
140	11.8	11.6
150	11.7	11.5
160	11.6	11.5
170	11.5	11.4
180	11.4	
190	11.2	11.1
200	11.2	11.1
210	11.2	11.1
220	11.1	
230	11.0	10.9
240	10.8	10.8
250	10.7	10.6
260	10.5	10.5
270	10.4	10.4
280	10.5	10.5

Bore profile

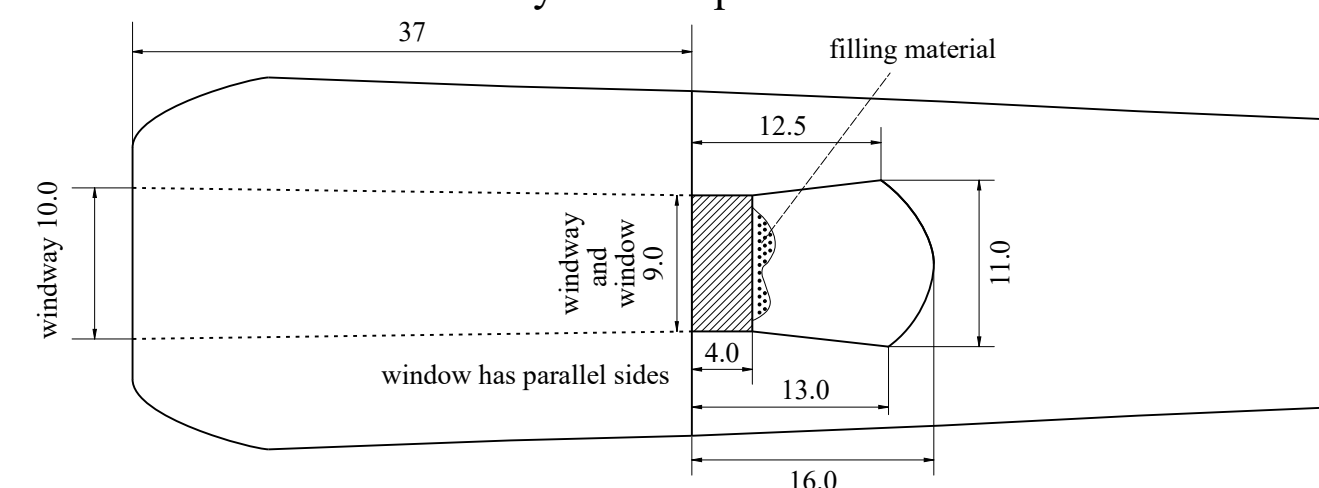


Finger holes

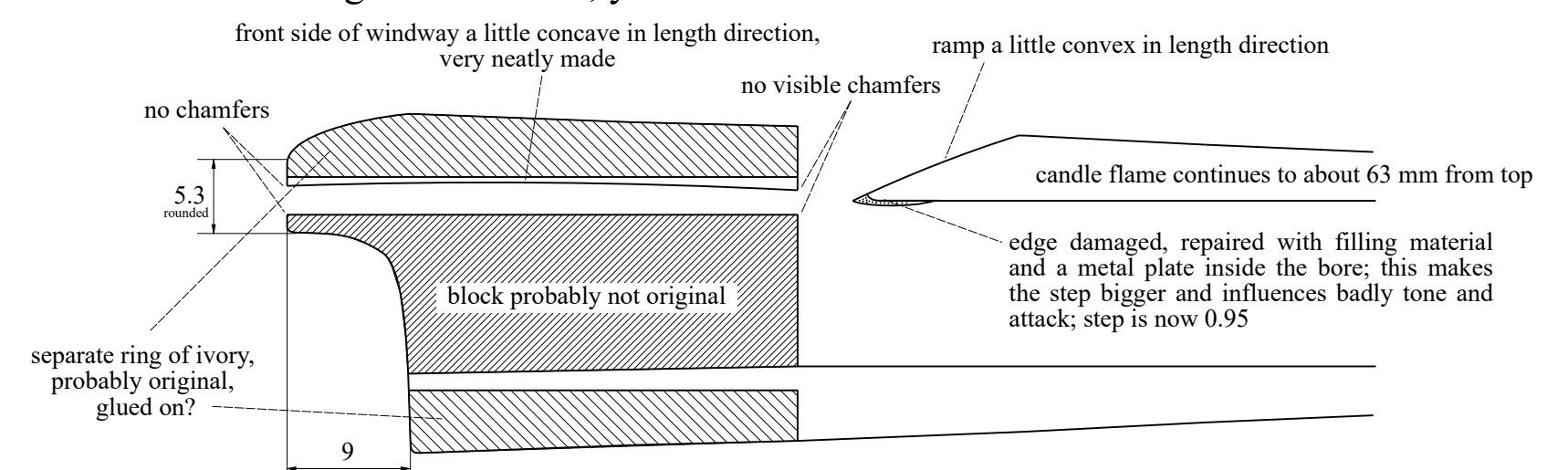
Finger hole No.	Distance from top of instrument to center of hole	Ø side/side	Ø up/down	Remarks
0	117	4.6	5.0	= thumb hole
1	126	4.8	5.2	
2	143	5.1	5.4	
3	162	5.2	5.7	
4	181.5	5.5	5.8	
5	200.5	5.4	6.0	
6	218	5.6	6.3	
7	237	4.4	4.8	doubled, distance between centers on surface: 15

Undercut in all directions:

Front view of windway and ramp 2:1

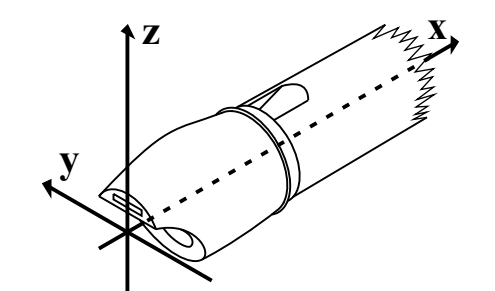


Length section 2:1, y=0



Abbreviations

x: distance from top of recorder
s/s: direction side/side, dir. of y-axis
f/b: direction front/back, dir. of z-axis



Soprano recorder

The Danish Music Museum - Musikhistorisk Museum & Carl Claudius' Samling, Inv.No. 2009-3

Material: Ivory Pitch: a little above eb", or in c" at a' = 531.5 Hz

The recorder is generally in good condition apart from some long cracks in the upper part of the instrument and from the damaged edge. The block is roughly made, and it is probably not original. The recorder is most likely made 1650-1675. It has no maker's mark.

All measurements in mm

Measured by Ture Bergström, September 1994 and April 1999

Drawn July 1999 by Ture Bergström

Havevej 49, DK-4700 Næstved, Denmark

ture@bergstrom.dk

www.bergstrom.dk

© Ture Bergström 1999

Copying of this drawing is allowed for private use.

Publishing or resale is not allowed.